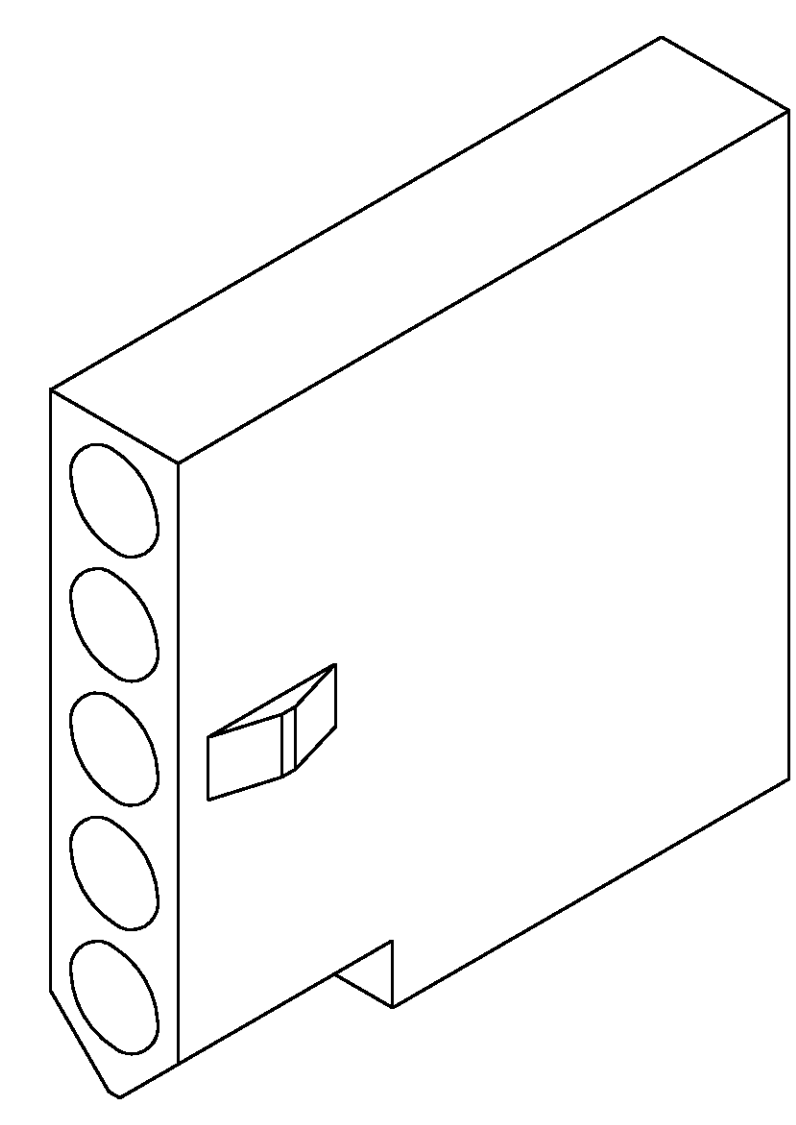
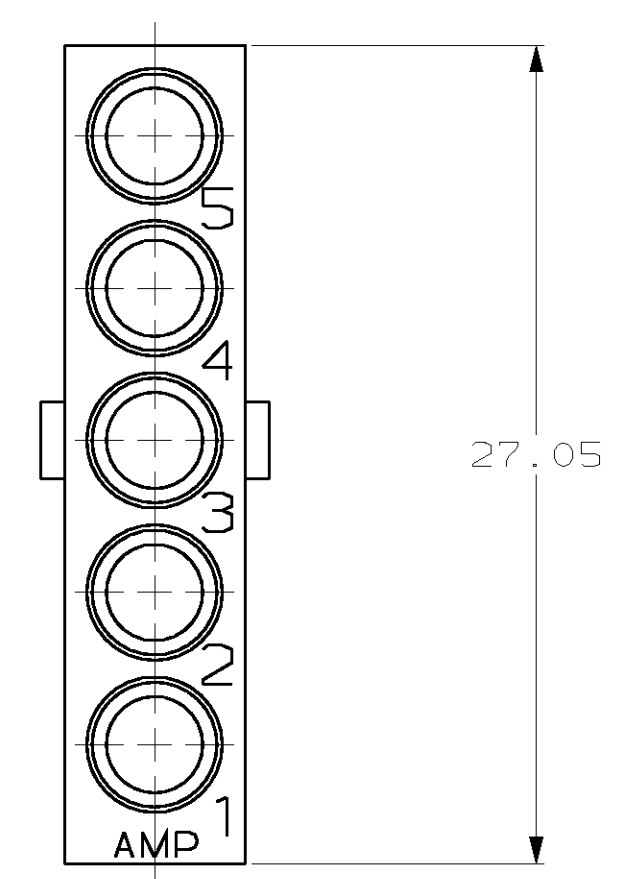
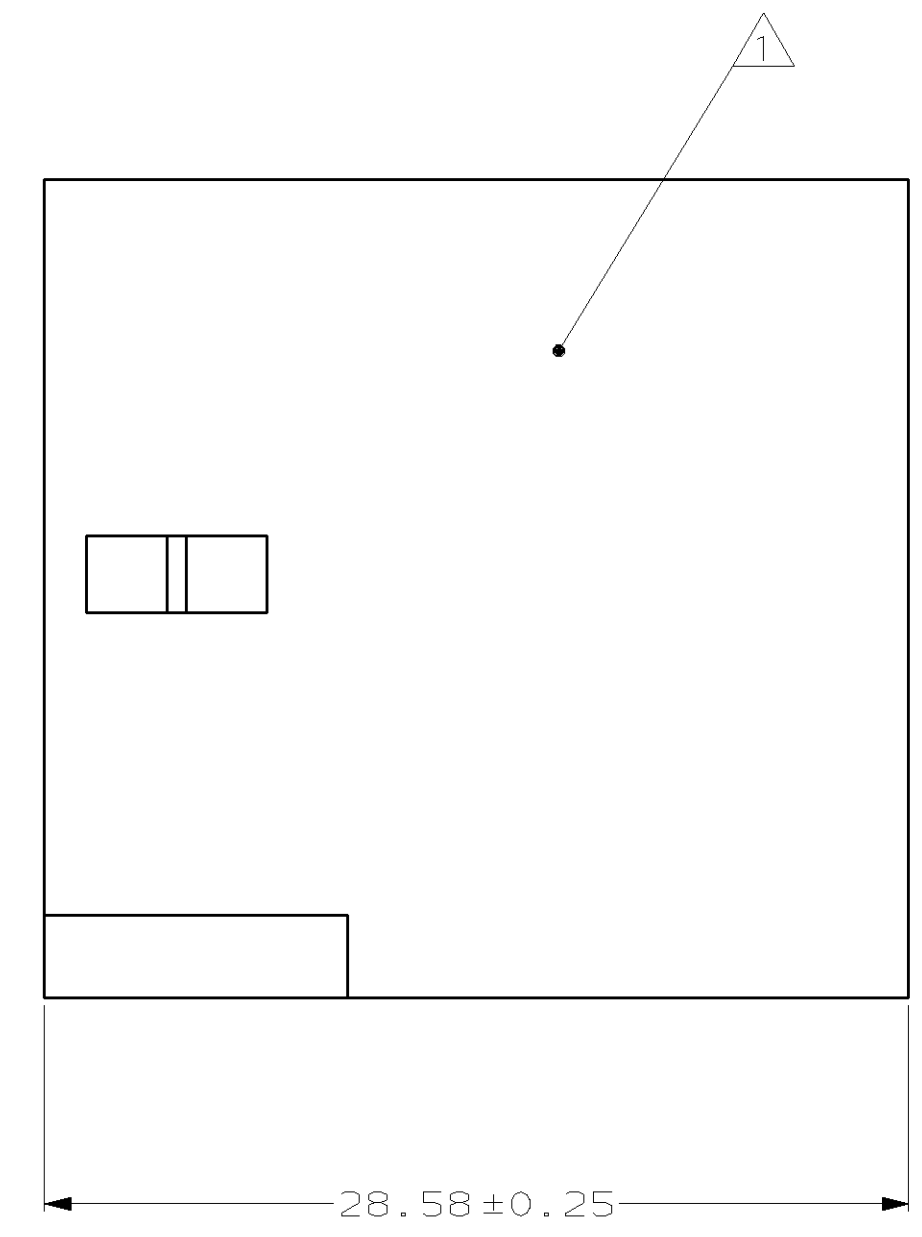
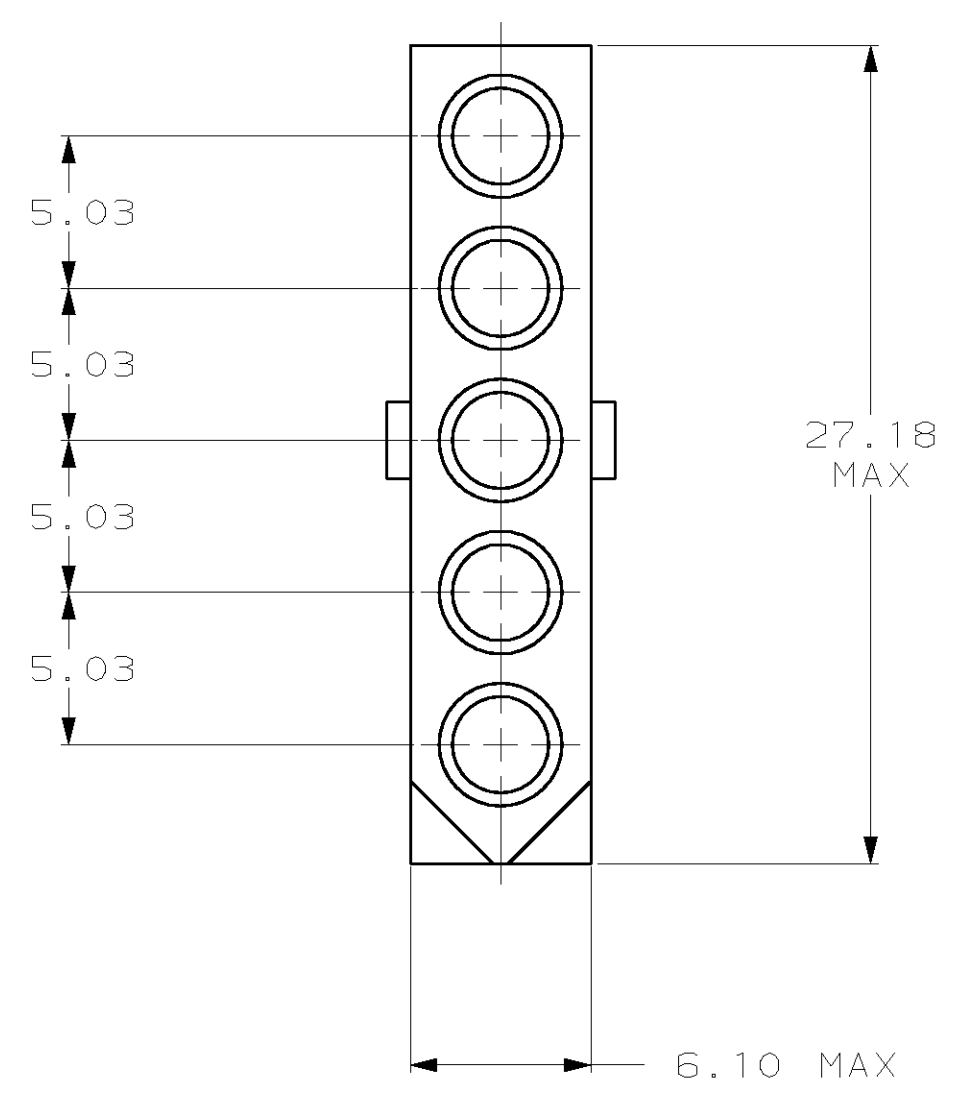


LOC	DIST	REVISIONS				
		REV	DESCRIPTION	DATE	OWN	APVD
CM	53	G	REV & REDWN PER EC 0G1B-0014-99	12-FEB-99	KW	RS

1 MARKING FOR UL LOGO AND CSA LOGO LOCATED APPROXIMATELY AS SHOWN.



3-DIMENSIONAL MODEL
NTS

28.58	1.125
27.18	1.070
27.05	1.065
6.10	.240
5.03	.198
2.36	.093
0.25	.010
0.13	.005
MM	IN

CONVERSION TABLE

770083-1
PART NUMBER



THIS DRAWING IS A CONTROLLED DOCUMENT.		Dwn K. WHITAKER 12-FEB-1999	AMP Incorporated Harrisburg, PA 17105-3608
DIMENSIONS:		Chk R. SWING 12-FEB-1999	NAME RECEPTACLE, 5 CIRCUIT, .093 COMMERCIAL PIN AND SOCKET
TOLERANCES UNLESS OTHERWISE SPECIFIED:		APVD K. CORLE 12-FEB-1999	RESTRICTED TO
mm	0 PLC ± 1 PLC ± 2 PLC ±0.13 3 PLC ± 4 PLC ± ANGLES ±	PRODUCT SPEC	SIZE CAGE CODE DRAWING NO
MATERIAL NYLON, JL 94V-2, NATURAL		APPLICATION SPEC	A100779 770083
FINISH -		WEIGHT -	SCALE 4:1 SHEET 1 OF 1 REV G
CUSTOMER DRAWING			